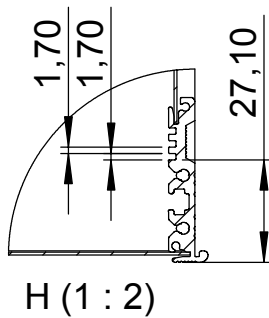
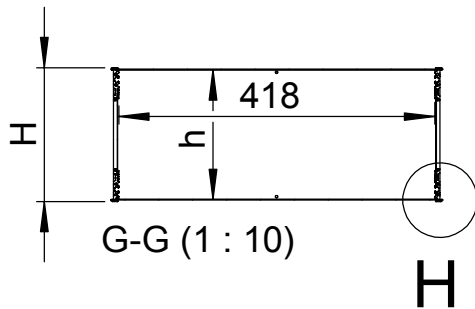
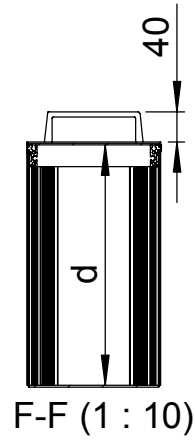
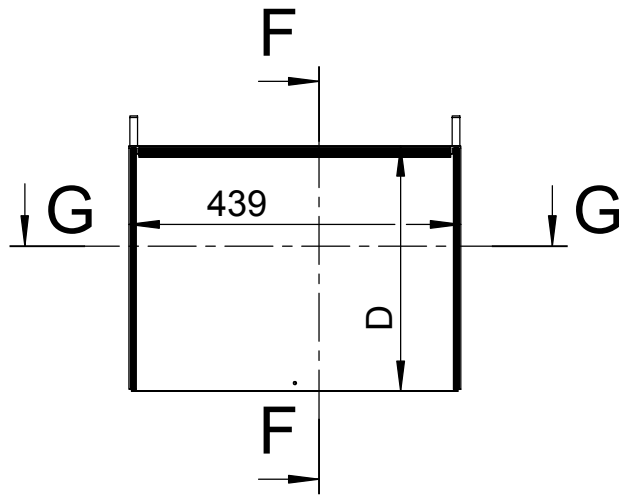


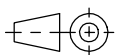
ITEM NO.	DESCRIPTION	MATERIAL	COLOR	QTY
1	Front profile	Al-profile	Clear	2
2	Front panel	Al-plate	Black	1
3	Side profile 1	Al-profile	Clear	2
4	Side profile 2	Al-profile	Clear	2
5	Back panel	Al-plate	Black	1
6	Cover angel	Al-profile	Clear	2
7	Top/Bottom plate	Al-plate	Black	2
8	Handle	Al-profile	Clear	2 or 4
9	Side plate	Al-plate	Black	0 or 2



MODEL	D [mm]	d [mm]	H [mm]	h [mm]	Side plates	No. of handles
MACRO 2-30	324.5	318	87.5	82	no	2
MACRO 2-40	424.5	418	87.5	82	no	2
MACRO 2-50	499.5	493	87.5	82	no	2
MACRO 3-30	324.5	318	132.5	127	yes	2
MACRO 3-40	424.5	418	132.5	127	yes	2
MACRO 3-50	499.5	493	132.5	127	yes	2
MACRO 4-30	324.5	318	177	171.5	yes	2
MACRO 4-40	424.5	418	177	171.5	yes	2
MACRO 4-50	499.5	493	177	171.5	yes	2
MACRO 5-30	324.5	318	221.5	216	yes	2
MACRO 5-40	424.5	418	221.5	216	yes	2
MACRO 5-50	499.5	493	221.5	216	yes	2
MACRO 6-30	324.5	318	266	260.5	yes	4
MACRO 6-40	424.5	418	266	260.5	yes	4
MACRO 6-50	499.5	493	266	260.5	yes	4
MACRO 8-30	324.5	318	355	349.5	yes	4
MACRO 8-40	424.5	418	355	349.5	yes	4
MACRO 8-50	499.5	493	355	349.5	yes	4

FlexiBox

Skala/Scale
1:10



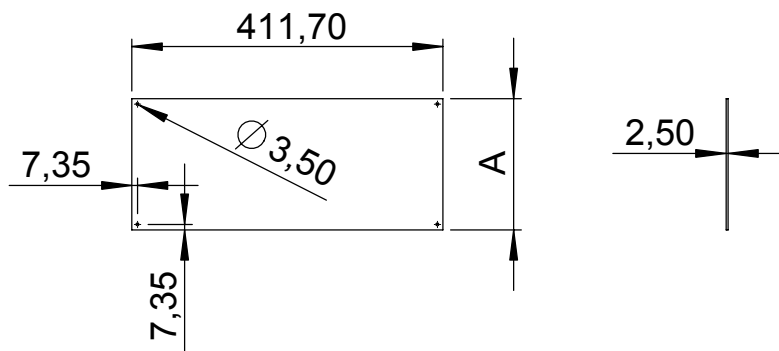
Benämning/Denomination

Data sheet MACRO

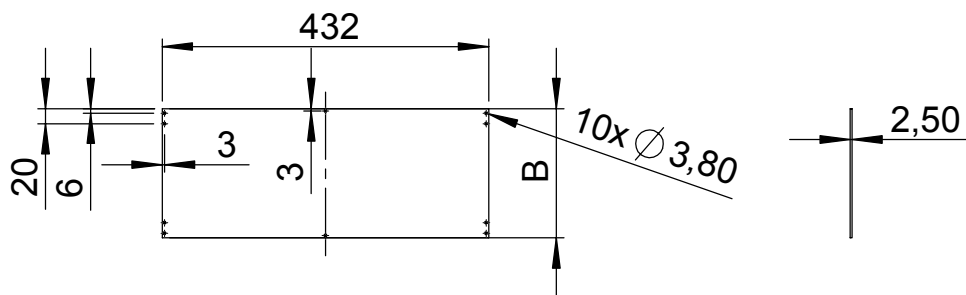
Ritn nr/Drawing No

SD000 026 193

Front panel



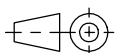
Back panel



MODEL	A [mm]	B [mm]
MACRO 2-30	84.2	81.5
MACRO 2-40	84.2	81.5
MACRO 2-50	84.2	81.5
MACRO 3-30	129.2	126.5
MACRO 3-40	129.2	126.5
MACRO 3-50	129.2	126.5
MACRO 4-30	173.7	171
MACRO 4-40	173.7	171
MACRO 4-50	173.7	171
MACRO 5-30	218.2	215.5
MACRO 5-40	218.2	215.5
MACRO 5-50	218.2	215.5
MACRO 6-30	262.7	260
MACRO 6-40	262.7	260
MACRO 6-50	262.7	260
MACRO 8-30	351.7	349
MACRO 8-40	351.7	349
MACRO 8-50	351.7	349

FlexiBox

Skala/Scale
1:10



Benämning/Denomination

Data sheet, MACRO

Ritn nr/Drawing No

SD000 026 193