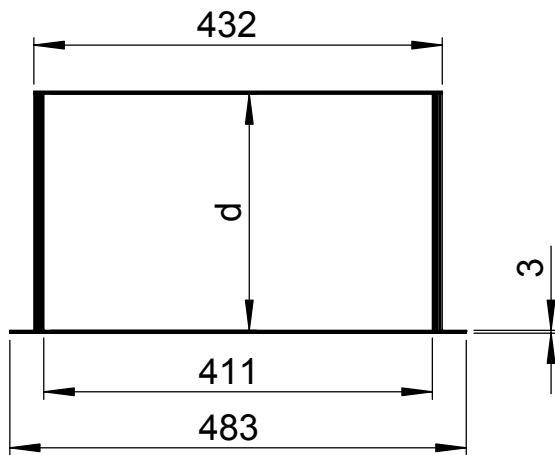
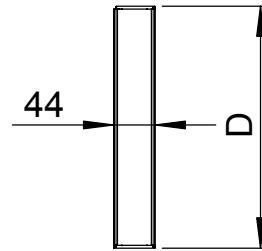


ITEM NO.	DESCRIPTION	MATERIAL	COLOR	QTY
1	Front panel	Al-profile	Natural	1
2	Side panel	Al-profile	Black	2
3	Back panel	Al-profile	Black	1
4	Cover plate	Steel/Dobel	Black	2
5	Bottom plate	Steel/Dobel	Black	1
6	Top plate	Steel/Dobel	Black	1

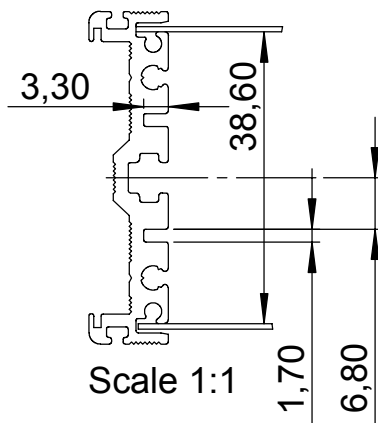
Top view



Side view



Side panel(broken out view):

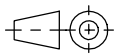


Scale 1:1

MODEL	D [mm]	d [mm]
MICRO 19-137	137	131
MICRO 19-257	257	250
MICRO 19-357	357	350

FlexiBox

Skala/Scale
1:8



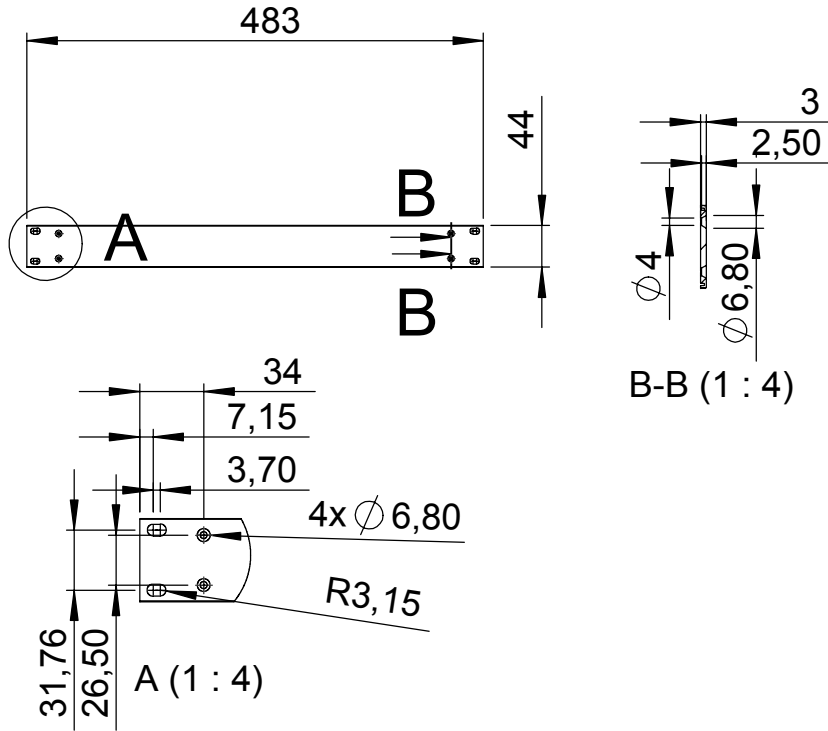
Benämning/Denomination

Data sheet, MICRO 19

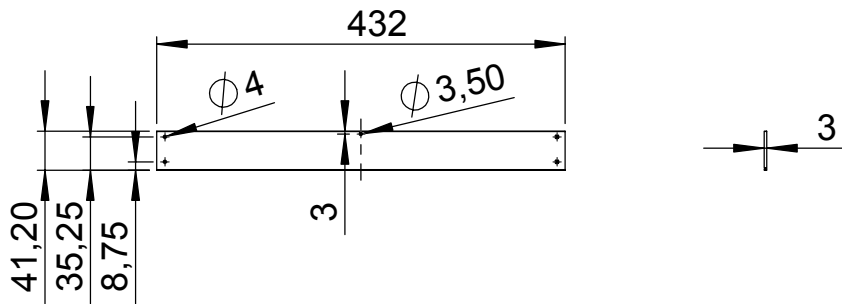
Ritn nr/Drawing No

SD000 026 195

Front panel



Back panel



A - - - - - B - - - - - C - - - - - D - - - - - E - - - - - F - - - - - G - - - - - H - - - - - J - - - - - K - - - - -

	Skala/Scale 1:8	Benämning/Denomination Data sheet, MICRO 19	Ritn nr/Drawing No SD000 026 195