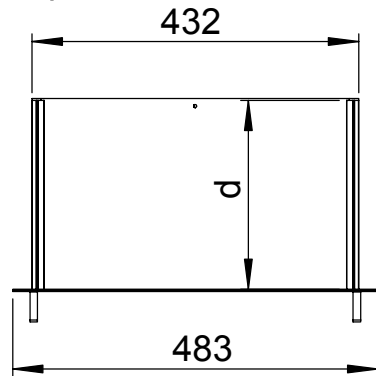
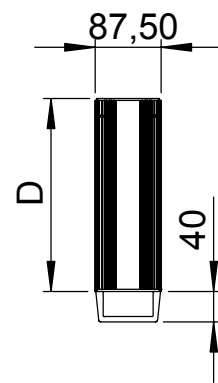


ITEM NO.	DESCRIPTION	MATERIAL	COLOR	QTY
1	Front panel	Al-profile	Clear	1
2	Side panel	Al-profile	Black	2
3	Top/bottom plate	Steel/Dobel	Black	2
4	Back panel	Al plate	Black	1
5	Handle	Al-profile	Clear	2

Top view

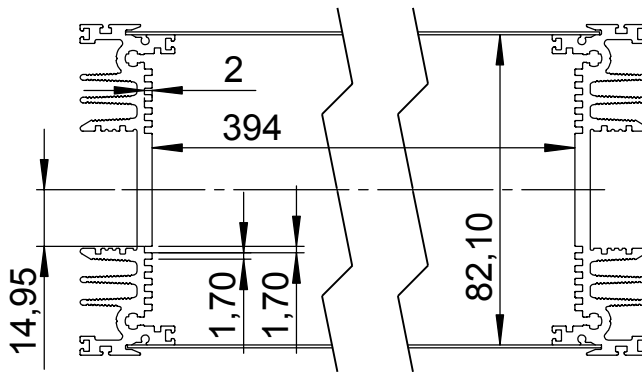


Side view



MODEL	D [mm]	d [mm]
MULTI 19-263	263	250
MULTI 19-363	363	350

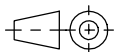
Back view



Scale 1:2

FlexiBox

Skala/Scale
1:10



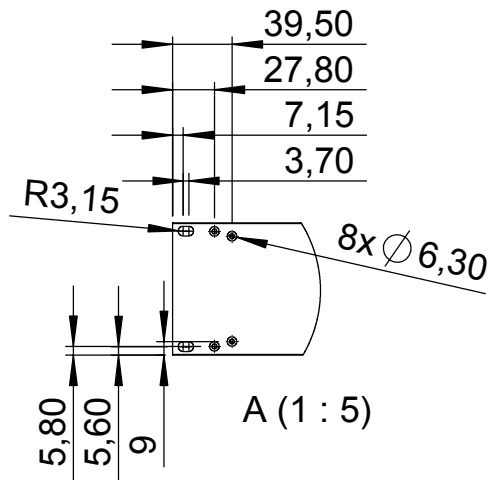
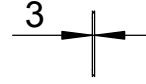
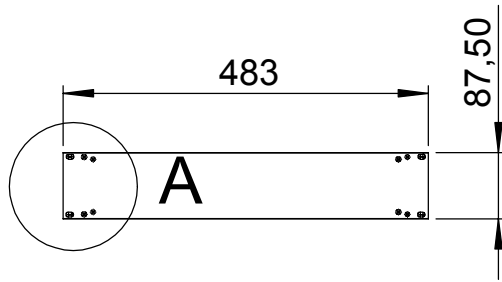
Benämning/Denomination

Data sheet, MULTI 19

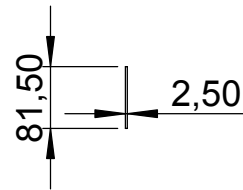
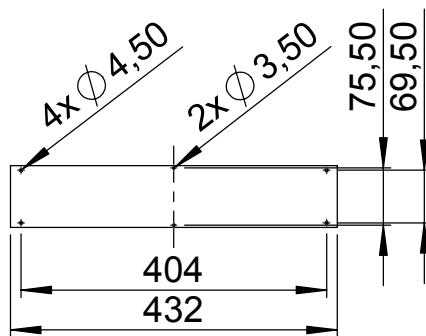
Ritn nr/Drawing No

SD000 026 198

Front panel

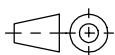


Back panel



FlexiBox

Skala/Scale
1:10



Benämning/Denomination

Data sheet, MULTI 19

Ritn nr/Drawing No

SD000 026 198

A - B - C - D - E - F - G - H - J - K -